

# HCO-7070R

QHD (4MP) Analog IR Bullet Camera

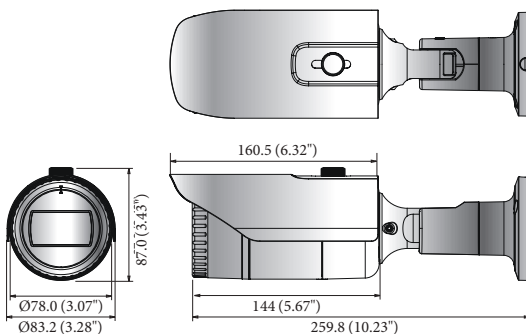


## Key Features

- QHD (2560 x 1440, 30fps) resolution
- 0.16 Lux@F1.6 (Color), 0 Lux (B/W : IR LED on)
- 3.2 ~ 10mm (3.1x) varifocal lens
- Day & Night (ICR), DWDR, Motion detection
- Transmission distance Max. 500m
- Easy installation (Plug & play), Dual power
- IP66, IK10 support

## Dimensions

Unit : mm (inch)



## Accessories (Optional)



SBO-100B1



SBP-302PM

## HCO-7070RN/P

VIDEO	
Imaging Device	1/3" 4M CMOS
Total Pixels	2,720(H) x 1,536(V)
Effective Pixels	2,688(H) x 1,520(V)
Scanning System	Progressive Scan
Min. Illumination	Color : 0.16 Lux (F1.6) B/W : 0 Lux (IR LED on)
S / N Ratio	52dB (AGC off, Weight on)
Video Output	BNC (AHD), Additional CVBS for installation (2Pin connector type)
Resolution	2560 x 1440
Max. Frame rate	30fps @ 4M   25fps @ 4M
LENS TYPE	
Focal Length (Zoom Ratio)	3.2 ~ 10mm (3.1x) varifocal
Max. Aperture Ratio	F1.6
Angular Field of View	H : 93.48°(Wide) ~ 29.44°(Tele) / V : 50.47°(Wide) ~ 16.64°(Tele) / D : 112.53°(Wide) ~ 33.7°(Tele)
Min. Object Distance	0.5m (1.64ft)
Focus Control	Manual
Lens Type	DC Auto Iris
Mount Type	Board-in Type
OPERATIONAL	
On Screen Display	Multi-language Support (14) English, Spanish, French, Portuguese, German, Italian, Russian, Polish, Czech, Romanian, Serbian, Swedish, Danish, Turkish
Day & Night	Auto (ICR) / Color / B/W
Backlight Compensation	Off / User BLC / HLC
Wide Dynamic Range	D-WDR (Off / On)
Digital Noise Reduction	2D DNR
Motion detection	Off / On (4 zones)
Privacy Masking	Off / On (2 zones rectangle)
Gain Control	Off / Low / Middle / High / Very High
White Balance	ATW / Outdoor / Indoor / Manual / AWC (1,800K ~ 10,500K)
Electronic Shutter Speed	1/30sec ~ 1/12,000sec   1/25sec ~ 1/12,000sec
Reverse	Off / H-Rev / V-Rev
Alarm	(MD) output 1
Remote Control Interface	Coaxial
Protocol	AHD : ACP (AHD Coax Protocol), CVBS : Pelco-C (Coaxitron)
IR Distance	30m (98.43ft)
Video Transmission Distance	500m (5C2V Coaxial cable)
ENVIRONMENTAL	
Operating Temperature / Humidity	-30°C ~ +55°C (-22°F ~ +131°F) / Less than 90% RH * Start up should be done at above -10°C (+14°F)
Ingress Protection	IP66
Vandal Resistance	IK10
ELECTRICAL	
Input Voltage	Dual ( 24V AC ±10% & 12V DC ±10%)
Power Consumption	MAX. 5.8W
MECHANICAL	
Color / Material	Dark Gray / Aluminum
Dimensions (WxH)	Ø78.0 x 259.8mm (Ø3.07" x 10.23") (Without sunshield)
Weight	914g (2.02 lb)

\* The latest product information / specification can be found at [hanwha-security.com](http://hanwha-security.com)  
\* Design and specifications are subject to change without notice.